

## CAIPBC330TW

### High Definition 1080P H.264 WDR TDN IP Box Camera

Honeywell Black™ IP camera CAIPBC330TW is a superior 1080P IP camera with Wide Dynamic Range (WDR) designed for advanced security applications that require ultra high image quality at minimal costs.

The CAIPBC330TW delivers high definition images in 1080P (1920 × 1080) resolution. Equipped with WDR, the CAIPBC330TW is ideal for 24x7 surveillance in facilities where there is high illumination contrast between background and foreground. Featuring True Day/Night with a mechanical IR-cut filter, this 1080P IP camera guarantees superior image quality at both day and night time.

By applying the H.264 video compression technology, the CAIPBC330TW streams high quality images at optimized bandwidth to reduce data volume effectively to save storage space. It also supports the ONVIF specification for high interoperability between network video products.

The CAIPBC330TW is compatible with Honeywell Black™'s CMS integrated network surveillance solution CAIPC-CMS100 which effectively controls video management, user management, storage, streaming data transmission, video output etc to develop a high performance system.

Power over Ethernet (PoE) option is available (CAIPBC330TW-P). Power can be supplied via the network by using the standard Ethernet cable. It increases installation flexibility, reduces installation time and costs, and eliminates the need for complicated wiring.

### Market Opportunities

Featuring 1080P resolution, H.264 video compression, PoE and ONVIF interface, the CAIPBC330TW / CAIPBC330TW-P IP cameras optimize performance for applications that require excellent image clarity and high-definition imaging at minimal bandwidth. Also with quick installation, WDR and TDN features, these IP cameras provide optimum performance for medium-scale indoor and outdoor applications.

### FEATURES

- 1080P high definition resolution
- High-profile H.264 Compression format, support multiple video stream simultaneously
- Extended Wide Dynamic Range (WDR)
- True Day/Night – IR-CUT removable
- Motion detection, Privacy Masking, Reset, Digital Noise Reduction
- Alarm I/O, RS485 interface
- Local storage for SD card
- Local analog output for easy setup
- 12 VDC/24 VAC and PoE (CAIPBC330TW-P only)
- ONVIF compliant



(lens excluded)



Driving IP-based physical security through global standardization

## CAIPBC330TW

<http://www.vodanet.com.tr>

### High Definition 1080P H.264 WDR TDN IP Box Camera

#### SPECIFICATIONS

Model	CAIPBC330TW	CAIPBC330TW-P
<b>Operation</b>		
Image Sensor	3 Megapixel, 1/3" Progressive Scan CMOS sensor	
Effective Pixels	2048 (H) x 1536 (V)	
Minimum Illumination	Color: 0.3 Lux @ F1.2, AGC ON / B/W: 0.05 Lux @ F1.2, AGC ON	
Day/Night	TDN , IR cut removable	
Lens	CS mount , DC Iris, Manual Iris	
Shutter Speed	1/5 - 1/10,000 Sec	
Digital Noise Reduction	ON/OFF	
Wide Dynamic Range	Extended Wide Dynamic Range, up to 100 dB	
Sync System	Internal	
Auto Gain Control	ON/OFF	
White Balance	AWB	
BLC	ON/OFF	
Image Set	Saturation, Brightness, Sharpness and Contrast setup is quick and easy and can be customized through IE Browser	
OSD Overlay	Name / date / position adjustable	
<b>IP Specification</b>		
Video Compression	H.264, M-JPEG Multiple video stream	
Image Resolution	1920 x 1080 @ 25/30fps	
Bit Rate	32K - 16Mbps	
Network Interface Protocol	ONVIF	
Ethernet	10/100Mbps self-adaptive Ethernet interface	
Supported Protocol	TCP/IP, UDP, RTP/RTCP, RTSP, HTTP, SMTP, DNS, DDNS, DHCP, FTP, NTP, PPPOE, UPNP (SNMP, HTTPS, SIP optional)	
Audio Compression	G.711	
Audio Compression Rate	64Kbps	
Audio Input	Mic/Line in, bi-directional audio, frequency responsibility: 50 - 16000Hz, S/N>60dB	
Audio Output	Line out PWL Resistance: 600Ohm	
Local Storage	SD card	
SD card Storage	Support max 32GB	
<b>Alarm and Event</b>		
Alarm Trigger	Intelligent video motion detection and external input	
Motion Detection	12 zones	
Alarm Event	Event server: FTP server, SMTP server, web browser	
Privacy Masking	3 zones	

## CAIPBC330TW

<http://www.vodanet.com.tr>

### High Definition 1080P H.264 WDR TDN IP Box Camera

Model	CAIPBC330TW	CAIPBC330TW-P
<b>Electrical</b>		
Power Supply	12VDC & 24VAC	
Power over Ethernet (PoE)	N/A	IEEE 802.3af
Power Consumption	4W (excluding external loading)	
<b>Mechanical</b>		
Dimensions	158(D) x 70(W) x 61(H)mm	
Weight	437g	
Lens Mount	CS mount	
Connector	RS485	
<b>Environmental</b>		
Operating Temperature	-10°C to +55°C	
Operating Humidity	0% to 90% relative humidity	
Storage Temperature	-20°C to +60°C	
<b>Viewing System</b>		
Browser	IE 6.0 or above	
<b>Software</b>		
Search and Installation	IP finder	
CMS	Honeywell Black™ CAIPC-CMS100	
<b>Regulatory</b>		
Certification	CE, C-tick	

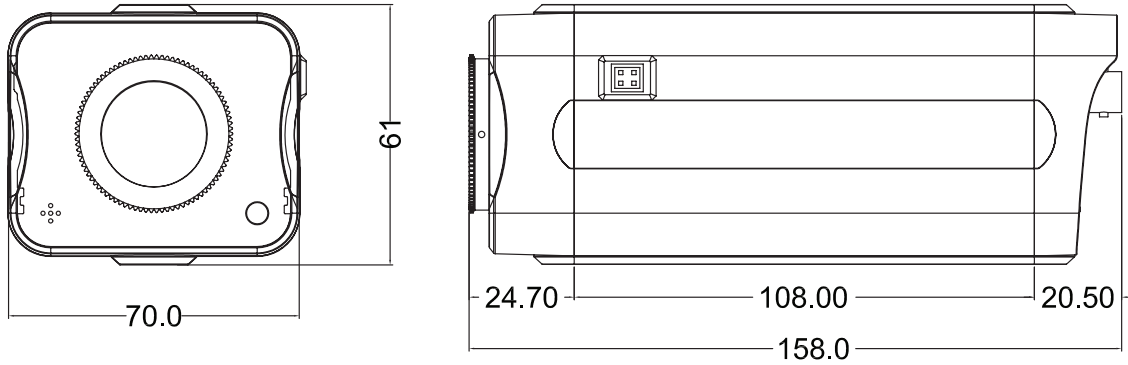
Note: Honeywell reserves the right, without notification, to make changes in product design or specifications.

## CAIPBC330TW

<http://www.vodanet.com.tr>

High Definition 1080P H.264 WDR TDN IP Box Camera

### DIMENSIONS



unit: mm

### ORDERING

CAIPBC330TW	1080P IP Box Camera, WDR, TDN, H.264, 24VAC & 12VDC, ONVIF
CAIPBC330TW-P	1080P IP Box Camera, WDR, TDN, H.264, 24VAC & 12VDC and PoE IEEE 802.3af, ONVIF

For more information:

Security East Asia  
Security Pacific  
Security India  
Security Middle East & N.Africa  
Security Russia  
Security China  
Security Korea

Tel: (852) 2405 2323  
Tel: 1300 234 234  
Tel: (91) 124 4975000  
Tel: (971) 4454 1704  
Tel: (7) 495 7979371  
Tel: (86) 400 8800 330  
Tel: (82) 2799 6114



[www.black.honeywell.com](http://www.black.honeywell.com)  
[security.black@honeywell.com](mailto:security.black@honeywell.com)

Honeywell Security Group  
Automation & Control Solutions  
Honeywell International Inc.  
[www.security.honeywell.com](http://www.security.honeywell.com)



July 2014  
© 2014 Honeywell International Inc.