

# CALIPB-1A

## CALIPB-1AP

<http://www.vodanet.com.tr>

### 1.3 Megapixel High Definition TDN IP Box Camera

#### **High Performance IP Camera at an Economical Price**

Honeywell Black™ CALIPB-1A(P) is an entry-level TDN IP Box Camera designed for small surveillance application which required high definition image quality at a very economical price. Equipped with 1.3 Megapixel (1280H x 960V) sensor, the CALIPB-1A(P) delivers 720P high resolution image at up to 30fps real time.

#### **Advanced Features**

Featuring True Day / Night with IR-cut filter, AGC and BLC functions, the CALIPB-1A(P) provides superior image quality even in extreme low-light conditions, ensuring reliable 24/7 surveillance applications.

By applying the H.264 video compression technology, the CALIPB-1A(P) streams high quality images at optimized bandwidth to significantly reduce data volume and save storage space. It also supports the ONVIF specifications for high interoperability among network video products.

The CALIPB-1A(P) comes with a free CMS software CAL-CMS200 which provides rich functions such as video management, user management, storage, video output, etc. It's also compatible with Honeywell Black™'s CALNVR series to develop a high performance system.

#### **Market Opportunities**

Honeywell Black™ CALIPB-1A(P) is designed for entry-level small surveillance application at a very budget-friendly price. Featuring 1.3 Megapixel (1280H x 960V) sensor, 720P high resolution image, H.264 video compression, TDN, AGC and BLC functions, optional PoE and ONVIF interface, the CALIPB-1A(P) is ideal for hotels, chain stores, commercial offices, hospitals, residential areas, warehouses, and education facilities and so on.

#### **FEATURES**

- 1.3 Megapixel (1280H x 960V), 720P HD resolution 1/3" ultra-low illumination CMOS
- High-profile H.264 compression, support dual-stream
- 720p real-time video output
- True Day / Night with automatic removable IR cut filter, AGC, BLC
- Minimum illumination: Color: 0.01Lux, Black / White: 0.001Lux
- Alarm I/O, RS485 interface; Two way audio I/O; USB port
- Support local storage for SD card (Max 32GB)
- Motion detection, Privacy masking, Mirror, Flip, Anti-flicker
- Power: DC12V or PoE (CALIPB-1AP only)
- ONVIF Compliant
- Free CAL-CMS200 central management software compatible
- CALNVRView: free Android and Apple app give you full access to your surveillance system anytime, anywhere



# CALIPB-1AP

<http://www.vodanet.com.tr>

## 1.3 Megapixel High Definition TDN IP Box Camera

### SPECIFICATIONS

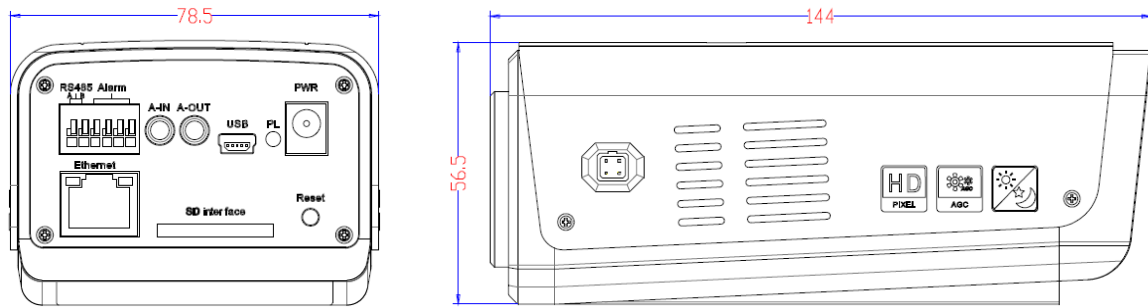
Model	CALIPB-1A	CALIPB-1AP
Image Sensor	1/3" ultra-low illumination CMOS	
Effective Pixels	1280 (H) x 960 (V)	
Minimum Illumination	Color: 0.01Lux @ (F1.2, AGC ON) B/W: 0.001Lux @ (F1.2, AGC ON)	
Shutter Speed	Auto: 1/50 (1/60) sec, 1/120 sec, 1/250 sec, 1/500 sec, 1/1000 sec, 1/2000 sec, 1/4000 sec, 1/10,000 sec (millisecond adjustable)	
Lens Mount	C/CS interface	
Lens	DC drive	
Day & Night	TDN, IR cut removable	
Day & Night mode	Auto, Color, Black & White	
BLC	ON/OFF	
Auto Gain Control	ON/OFF 0~100 adjustable	
Slow Shutter	None, Low, Medium, High	
NT Level (DNR)	Day / Night, 0~5 adjustable	
Image Set	Brightness, Contrast, Saturation, Hue can be customized through CMS client and IE browser	
OSD Display	Time title, Channel title	
Video Compression	H.264 High Profile dual-stream	
Image Resolution & Frame Rate	Main Stream: 50Hz: 25fps (720P: 1280 x 720), (1.3M: 1280 x 960) 60Hz: 30fps (720P: 1280 x 720), (1.3M: 1280 x 960) Sub-Stream: 50Hz: 25fps (D1: 704 x 576), (CIF: 352 x 288) 60Hz: 30fps (D1: 704 x 576), (CIF: 352 x 288)	
Bite Rate	H.264: 32K-6Mbps Image resolution lowest / lower / general / high / higher / highest selectable	
Bite Rate Type	CBR / VBR	
Audio Compression	G.711a	
Network Interface Protocol	ONVIF 2.0	
Support Protocol	TCP/IP, HTTP, DHCP, DNS, DDNS, PPPoE, SMTP, NTP (HTTPS, SIP, 802.1x, IPv6)	
Browser	IE 6.0 to IE 11.0	
Alarm Trigger	I/O trigger, video motion, video blind, video loss, intelligent analysis (line crossing), device disconnect	
Motion Detection	396 zones	
Privacy Masking (Region Cover)	4 zones	
Max. User Access	5 users	
Audio Input / Output	1 CH 3.5mm jack port	
Ethernet	1 RJ45 10/100Mbps self-adaptive Ethernet interface	
Connector	1 RS-485 Interface	
Alarm Input / Output	1 CH Input, 2CH Output	
Video Output	1Vp-p Composite output (75Ω/BNC)	
Storage	Network storage / SD card slot (max 32GB)	
USB Port	1 USB Port for Wi-Fi / 3G Extension	
Reset Button	YES	
CMS	CAL-CMS200	
Mobile View APP	CALNVRView for iPhone, iPad, Android	
Operating Temperature	-10°C~60°C,	
Operating Humidity	Less than 90% ( non-condensing)	
Power Supply	DC12V±10%	
Power Consumption	3W (excluding external loading)	
Power over Ethernet (PoE)	N/A	IEEE 802.3af
Dimensions	144(D) x 56.5(H) x 78.5(W) mm	
Weight	500g	
Certificate	CE, FCC, C-tick	

Note: Honeywell reserves the right, without notification, to make changes in product design or specifications.

# CALIPB-1A CALIPB-1AP

## 1.3 Megapixel High Definition TDN IP Box Camera

### DIMENSION



### ORDERING

CALIPB-1A	IP Box Camera, 1.3 Megapixel, 1/3" ultra low illumination CMOS, 720P 30fps, TDN, 12VDC, ONVIF
CALIPB-1AP	IP Box Camera, 1.3 Megapixel, 1/3" ultra low illumination CMOS, 720P 30fps, TDN, 12VDC, PoE, ONVIF