

Honeywell Black™

CALIPD-1AI36-V(P)

CALIPD-1AI60-V(P)

Honeywell

<http://www.vodanet.com.tr>

1.3 Megapixel High Definition TDN IR Vandal-Proof IP Dome Camera

High Performance IP Camera at an Economical Price

Available in 3.6mm / 6mm built-in fixed lens, Honeywell Black™ CALIPD-1AI36/60-V(P) is an IP dome camera designed for small surveillance application which required high definition image quality at a very economical price. Equipped with 1.3 Megapixel sensor (1280H x 960V) sensor, the CALIPD-1AI36/60-V(P) delivers 720P high resolution image at up to 30fps real time. The vandal-proof and IP66 weather-proof housing makes it suitable for installation in harsh outdoor areas.

Advanced Features

Featuring True Day/Night with IR-cut filter and built-in IR led, the camera can automatically switch to black and white in pitch black conditions and also gives an IR beam distance of up to 20 meters, providing superior images at both day and night time.

By applying the H.264 video compression technology, the CALIPD-1AI36/60-V(P) streams high quality images at optimized bandwidth to significantly reduce data volume and save storage space. It also supports the ONVIF specification for high interoperability among network video products.

The CALIPD-1AI36/60-V(P) comes with a free CMS software CAL-CMS200 which provides rich functions such as video management, user management, storage, video, output, etc. It's also compatible with Honeywell Black™ CALNVR series to develop a high performance system.

Market Opportunities

Available in 3.6mm / 6mm built-in fixed lens, Honeywell Black™ CALIPD-1AI36/60-V(P) is designed for small surveillance application at a very budget-friendly price. Featuring 1.3 Megapixel (1280H x 960V) sensor, 720P high resolution image, TDN function, H.264 video compression, up to 20 meters IR night vision and optional PoE function, Honeywell Black™ CALIPD-1AI36/60-V(P) is ideal for hotels, chain stores, commercial offices, hospitals, residential areas, warehouses, and education facilities and so on.

FEATURES

- 1.3 Megapixel (1280H x 960V), 720P HD resolution
- High-profile H.264 compression, support dual-stream
- 720P real-time video output
- Built-in 3.6mm / 6.0mm fixed lens
- True Day / Night with automatic removable IR cut filter, AGC, BLC, DWDR
- Built-in IR LED, 10~20m IR beam distance
- Minimum illumination: Color: 0.01Lux, Black / White: 0.0 Lux (IR On)
- Motion detection, Privacy Masking, Mirror, Flip, Anti-flicker
- Vandal-proof and IP66 weather-proof
- Power: DC12V or PoE (CALIPD-1AI36-VP / CALIPD-1AI60-VP only)
- ONVIF Compliant
- Free CAL-CMS200 central management software compatible
- CALNVRView: free Android and Apple app give you full access to your surveillance system anytime, anywhere



Honeywell Black™

CALIPD-1AI36-V(P)

CALIPD-1AI60-V(P)

Honeywell

<http://www.vodanet.com.tr>

1.3 Megapixel High Definition TDN IR Vandal-Proof IP Dome Camera

SPECIFICATIONS

Model	CALIPD-1AI36-V / CALIPB-1AI60-V	CALIPD-1AI36-VP / CALIPD-1AI60-VP
Image Sensor	1/3" ultra-low illumination CMOS	
Effective Pixels	1280(H) x 960(V)	
Minimum Illumination	Color: 0.01Lux @ (F1.2, AGC ON) B/W: 0.0Lux (IR On)	
Shutter Speed	Auto, 1/50 (1/60) sec, 1/120 sec, 1/250 sec, 1/500 sec, 1/1000 sec, 1/2000 sec, 1/4000 sec, 1/10,000 sec (millisecond adjustable)	
Lens	CALIPD-1AI36-V / CALIPD-1AI36-VP: f=3.6mm CALIPD-1AI60-V / CALIPD-1AI60-VP: f=6mm	
DWDR	ON/OFF	
Day & Night	TDN, IR cut removable	
Day & Night mode	Auto, Color, Black & White	
IR Beam Distance	10~20m	
BLC	ON/OFF	
Auto Gain Control	ON/OFF 0~100 adjustable	
Slow Shutter	None, Low, Medium, High	
NT Level (DNR)	Day / Night 0~5 adjustable	
Image Set	Brightness, Contrast, Saturation, Hue can be customized through CMS client and IE browser	
OSD Display	Time title, Channel title	
Video Compression	H.264 High Profile dual-stream	
Image Resolution & Frame Rate	Main Stream: 50HZ: 25fps (720P: 1280x720),(960P:1280x960) 60HZ: 30fps (720P: 1280x720),(960P:1280x960) Sub-Stream: 50HZ: 25fps (D1: 704x576),(CIF:352x288) 60HZ: 30fps (D1: 704x480),(CIF:352x240)	
Bite Rate	H.264: 100Kbps~6Mbps, Image resolution lowest / lower / general / high / higher / highest selectable	
Bite Rate Type	CBR / VBR	
Network Interface Protocol	ONVIF 2.0	
Support Protocol	TCP/IP, HTTP, DHCP, DNS, DDNS, PPPoE, SMTP, NTP (HTTPS, SIP, 802.1x, IPv6)	
Browser	IE6.0 to IE11.0	
Alarm Trigger	Video motion, video blind, video loss,device disconnect	
Motion Detection	396 zones	
Privacy Masking (Region Cover)	4 zones	
Max. User Access	5 users	
Ethernet	1 RJ45 10M / 100M self adaptive Ethernet interface	
Audio interface	1 CH RCA Audio input	1CH 3.5mm Audio input
Storage	Network storage	
CMS	CAL-CMS200	
Mobile View APP	CALNVRView for iPhone, iPad, Android	
Operating Temperature	-10°C~60°C,	
Operating Humidity	Less than 90% (non-condensing)	
Power Supply	DC12V±10%	
Power Consumption	3W Max (excluding external loading)	
Power over Ethernet (PoE)	N/A	IEEE 802.3af
Dimension	Φ93mm x 68mm (H)	
Weight	300g	
IP Protection	IP66	
Certificate	CE, FCC, C-tick	

Note: Honeywell reserves the right, without notification, to make changes in product design and/or specifications.



VODANET LET M H ZMETLER LTD. T .
Altayçe me Mah. Çam Sok. No:16 Dap Royal Center
Kat:8/32 Maltepe - ISTANBUL

Telefon : 0216 340 76 40 Faks : 0216 340 51 73

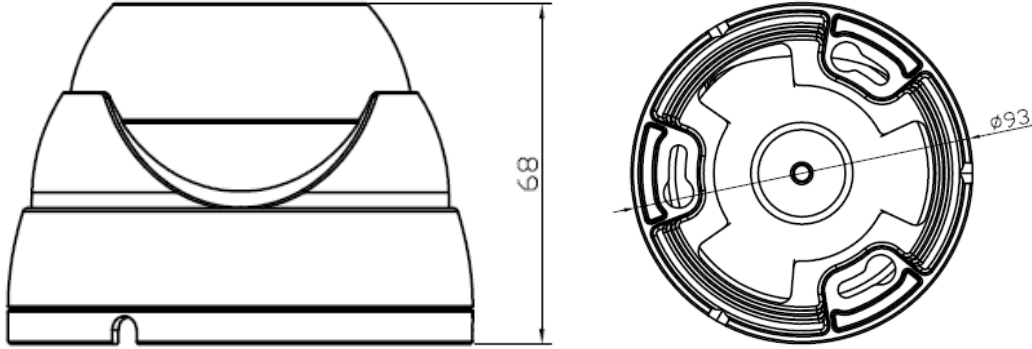
www.vodanet.com.tr

CALIPD-1AI36-V(P) CALIPD-1AI60-V(P)

<http://www.vodanet.com.tr>

1.3 Megapixel High Definition TDN IR Vandal-Proof IP Dome Camera

DIMENSION



ORDERING

CALIPD-1AI36-V	Vandal-proof IR Dome Camera, 1.3 Megapixel 1/3" ultra low illumination CMOS 720P 30fps, 10~20 IR beam distance, TDN, 3.6mm fixed lens, IP66, 12VDC, ONVIF
CALIPD-1AI60-V	Vandal-proof IR Dome Camera, 1.3 Megapixel 1/3" ultra low illumination CMOS 720P 30fps, 10~20 IR beam distance, TDN, 6mm fixed lens, IP66, 12VDC, ONVIF
CALIPD-1AI36-VP	Vandal-proof IR Dome Camera, 1.3 Megapixel 1/3" ultra low illumination CMOS 720P 30fps, 10~20 IR beam distance, TDN, 3.6mm fixed lens, IP66, 12VDC, PoE, ONVIF
CALIPD-1AI60-VP	Vandal-proof IR Dome Camera, 1.3 Megapixel 1/3" ultra low illumination CMOS 720P 30fps, 10~20 IR beam distance, TDN, 6mm fixed lens, IP66, 12VDC, PoE, ONVIF